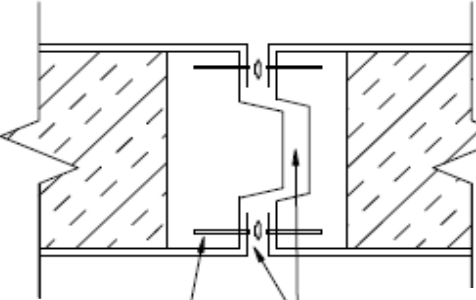


**COMMERCIAL COOLING  
PAR ENGINEERING, INC.**

**BUYER BEWARE  
ALL WALK-INS ARE NOT THE SAME**

RATING	INDUSTRY NOMENCLATURE	SKETCH	EXPLANATION OF MAJOR DIFFERENCES
<p><u>GOOD</u></p> <div data-bbox="142 423 642 565" style="border: 1px solid black; padding: 10px; text-align: center; width: fit-content; margin: 10px auto;"><p><b>COMPETITOR</b></p></div>	<p>Standard high density foam rail.</p>	 <p style="text-align: center;"><b>1/2" STAPLES</b>                      <b>AIR GAP</b></p>	<p>Added strength at joints where needed. Great insulation with close tolerances at seams.</p> <p>Possibility of voids at the seams due to metal bend and added thickness of staples.</p>

---